

Kills
99%
of airborne and surface
pathogens



OHXYPHOG

OHXYPHOG

Viruses have no protection against oxidative stress

Ozone is a proven disinfectant of all known viruses.

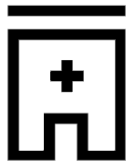
Aqua Vita's OhxyPhog System should provide effective kill rates of virus when applied properly.

Since viruses have no protection against oxidative stress, ozone should be the ideal candidate for disinfection.

The OhxyPhog mobile treatment system is perfect for use in airports, hospitals, urgent care centers, food processing areas, classrooms, locker rooms, daycare facilities, nursing homes, banks, schools, hotels, grocery stores, cruise ships, government buildings and any other facility where complete decontamination of an entire area is desired.

Kills
99%

of airborne and surface
pathogens



Hospitals, Urgent
Cares, and Doctors
Offices



Warehouses



Banks



Grocery and
Supermarkets



Schools



Hotels



Airports



Large Office
Buildings



Government
Buildings



Public
Transportation



Public Gathering
Spaces



Cruise Ships

OHXYPHOG - 1

Uncrated Weight: 300 lbs
With water (15 gallons actual): 425 lbs

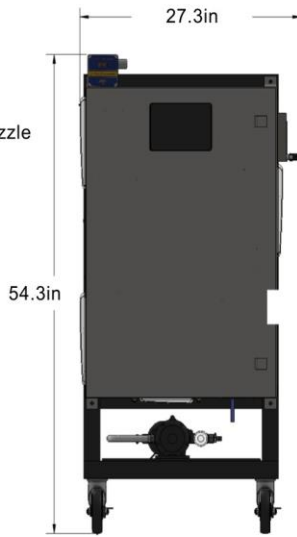
OHXYPHOG 1

150LBS WITHOUT WATER

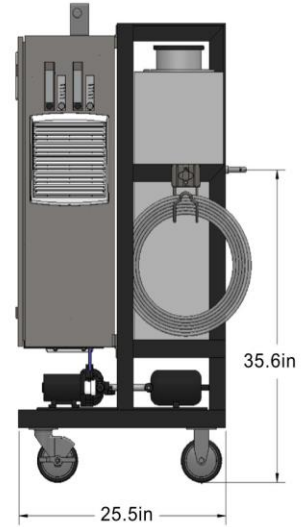
Specifications: Ozone Generator, 20 gram/hr @ 5% concentration. Oxygen Generation System, On Board 5 slpm PSA Oxygen System. OhxyPhog Low Flow Nozzles, Qty. 2. Startup Assistance not required but available if desired



3D View
1419-1000
Assembly, OhxyPhog System



Front View
1419-1000
Assembly, OhxyPhog System

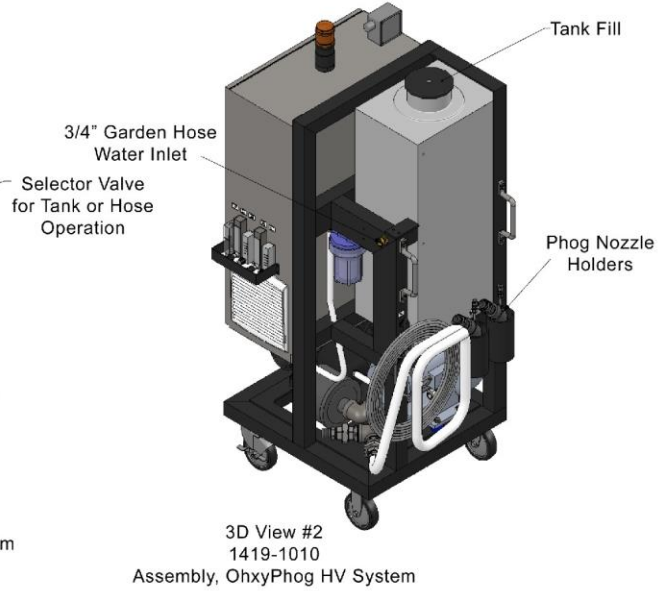
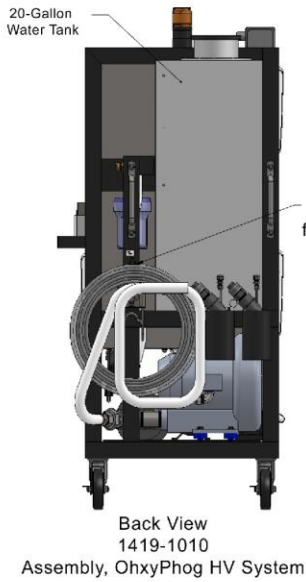


OHXYPHOG - 2

OHXYPHOG - 2

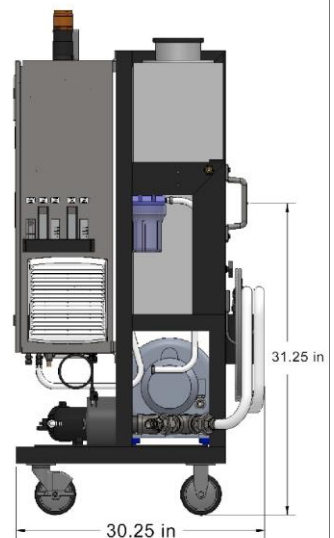
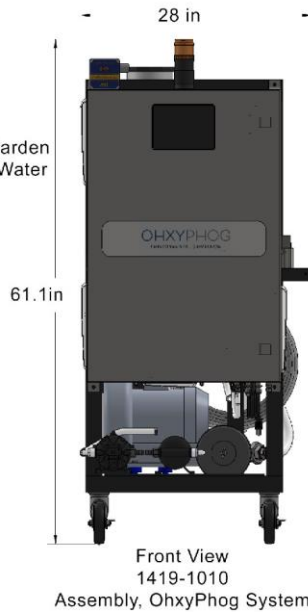
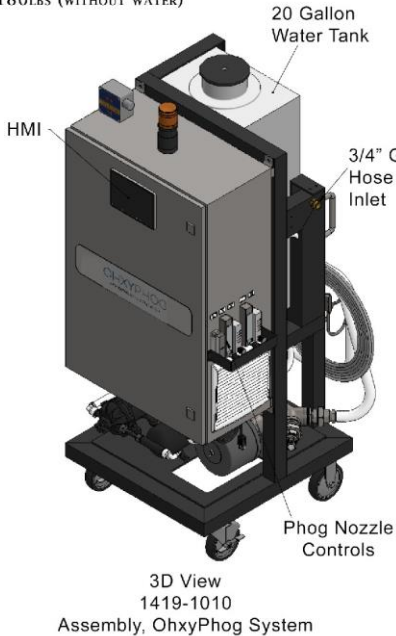
Uncrated Weight: 370 lbs
 With water (15 gallons actual): 495 lbs

OHXYPHOG 2 180LBS (WITHOUT WATER)

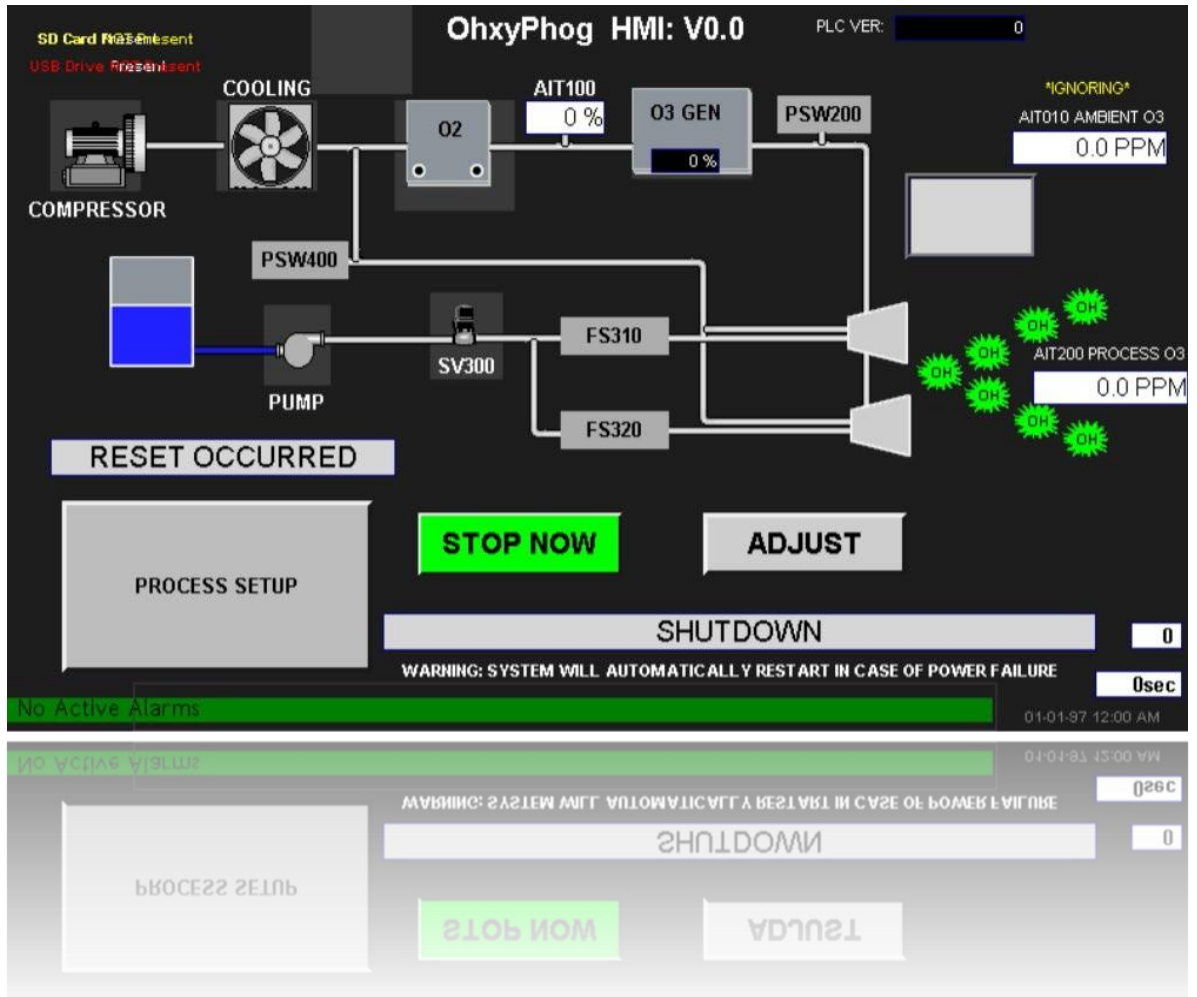


OHXYPHOG 2 180LBS (WITHOUT WATER)

Specifications: Ozone Generator, 50 gram/hr @ 10% concentration. Oxygen Generation System, On Board 8 slpm PSA Oxygen System. OhxyPhog High Flow Nozzles, Qty. 2. Startup Assistance not required but available if desired



OHXYPHOG



OhxyMini 1 and OhxyMini 2

OhxyMini 1 is for residential and small office rooms.

OhxyMini 2 is for larger areas, such as hospital and operating rooms.

Both OhxyMini 1 & 2 have two modes. The first mode can be run with people in the room. The machine brings the air in and ozonates it and then recirculates it back out into the room.

The second mode must be run without people in the room, like our OhxyPhog 1 & 2 models, except these models use a gas to ozonate the air, rather than a fog. Once the ozone level is reached, these models will switch back to the first mode, and will quickly remove the ozone from the air by recirculating it through the machine.

